

70-223

Microsoft

Installing, Configuring, and Administering Microsoft Clustering Services by Using Microsoft Windows 2000 Advanced Server

Visit: <http://www.pass4sureofficial.com/exams.asp?examcode=70-223>

Pass4sureofficial.com is a reputable IT certification examination guide, study guides and audio exam provider, we not only ensure that you pass your 70-223 exam in first attempt, but also you can get a high score to acquire Microsoft certification.

If you use pass4sureofficial 70-223 Certification questions and answers, you will experience actual 70-223 exam questions/answers. We know exactly what is needed and have all the exam preparation material required to pass the exam. Our Microsoft exam prep covers over 95% of the questions and answers that may be appeared in your 70-223 exam. Every point from pass4sure 70-223 PDF, 70-223 review will help you take Microsoft 70-223 exam much easier and become Microsoft certified. All the Questions/Answers are taken from real exams.

Here's what you can expect from the Pass4sureOfficial Microsoft 70-223 course:

- * Up-to-Date Microsoft 70-223 questions taken from the real exam.
- * 100% correct Microsoft 70-223 answers you simply can't find in other 70-223 courses.
- * All of our tests are easy to download. Your file will be saved as a 70-223 PDF.
- * Microsoft 70-223 brain dump free content featuring the real 70-223 test questions.

Microsoft 70-223 certification exam is of core importance both in your Professional life and Microsoft certification path. With Microsoft certification you can get a good job easily in the market and get on your path for success. Professionals who passed Microsoft 70-223 exam training are an absolute favorite in the industry. You will pass Microsoft 70-223 certification test and career opportunities will be open for you.



QUESTION: 1

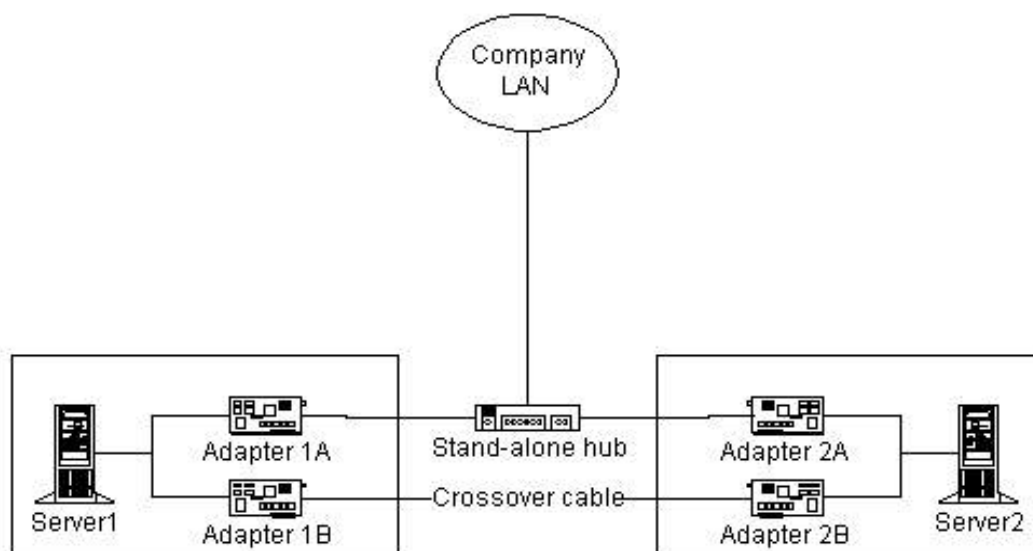
You are the cluster administrator for your company. You need to configure two Windows 2000 Advanced Server computers for use as cluster nodes. You need to implement fault-tolerance methods for the local storage. You also need to implement fault-tolerance methods for the external storage subsystem. Each server contains two 9.3-GB hard disks. The external storage subsystem contains eight 10-GB hard disks. You need to ensure that the cluster can tolerate the failure of a single hard disk in either server and in the external storage subsystem. Which two fault-tolerance methods should you use? (Choose two.)

- A. Configure the hard disks in each server as Windows 2000 striped volumes.
- B. Configure the hard disks in each server as Windows 2000 RAID 5 volumes.
- C. Configure the hard disks in each server as Windows 2000 mirrored volumes.
- D. Configure the hard disks in the external storage subsystem to use a hardware RAID 5 array.
- E. Configure the hard disks in the external storage subsystem as Windows 2000 striped volumes.
- F. Configure the hard disks in the external storage subsystem as Windows 2000 RAID 5 volumes.

Answer: C, D

QUESTION: 2

You are the administrator of a two-node Windows 2000 Advanced Server cluster. The cluster is configured as shown in the following diagram. Adapter 1A and Adapter 2A are designated for Client access only. Adapter 1B and Adapter 2B are designated for Internal cluster communications only. Which network components represent a single point of failure for internal cluster communications? (Choose all that apply.)



- A. Adapter 1A

- B. Adapter 1B
- C. Adapter 2A
- D. Adapter 2B
- E. the crossover cable
- F. the stand-alone hub

Answer: B, D, E

QUESTION: 3

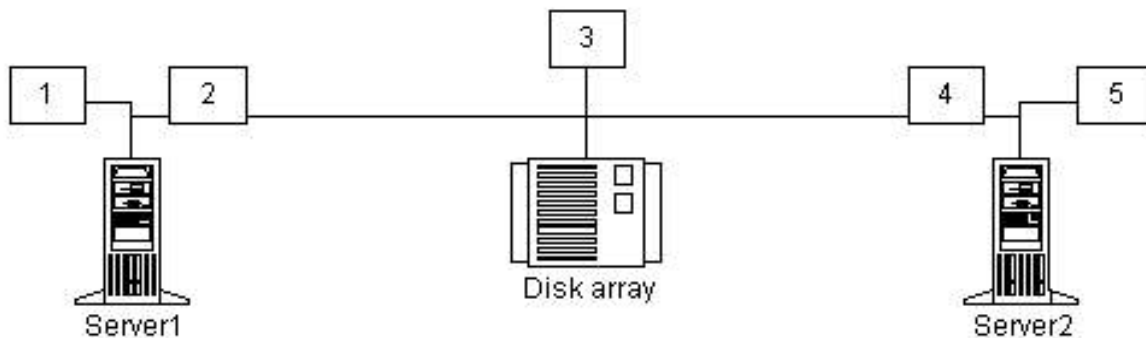
You are the administrator of two new computers. You need to configure the computers before installing Windows 2000 Advanced Server and the Cluster service. You install a new SCSI controller in each computer. You connect both controllers to an external disk array, which will serve as the cluster storage. The external disk array contains three hard disks. You start both servers and receive a BIOS error message on each server. The error message indicates that a device conflict has been detected on the SCSI bus. You need to correct this error. What should you do?

- A. Change the SCSI ID to 0 on all three hard disks.
- B. Change the SCSI ID on one of the SCSI controllers.
- C. Add a SCSI bus terminator to the connector on the external disk array.
- D. Add a SCSI bus terminator to the connectors on both SCSI controllers.

Answer: B

QUESTION: 4

You are the administrator of two Windows 2000 Advanced Server computers named Server1 and Server2. You need to install the Cluster service on the servers. You install a SCSI array controller in each server. Next, you connect the array controllers to an external storage subsystem by using SCSI cables. You need to install at least one SCSI terminator in the external storage subsystem at one or more of the locations shown in the exhibit. (Click the Exhibit button.) Where should you install a SCSI terminator or SCSI terminators? (Choose all that apply.)



- A. Install a SCSI terminator at location 1.
- B. Install a SCSI terminator at location 2.
- C. Install a SCSI terminator at location 3.
- D. Install a SCSI terminator at location 4.
- E. Install a SCSI terminator at location 5.

Answer: A, E

QUESTION: 5

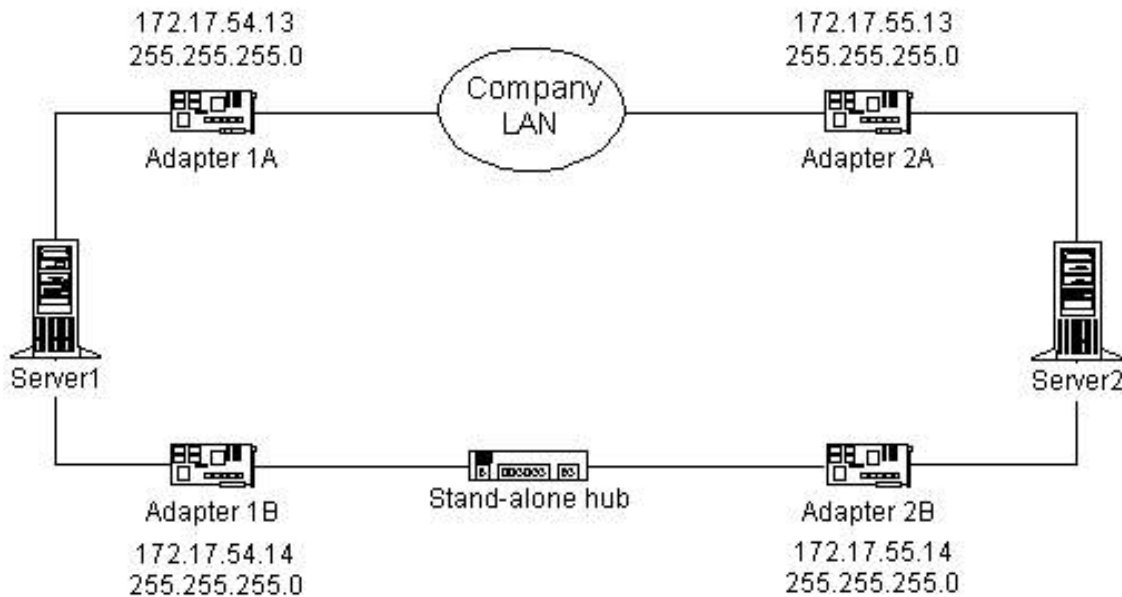
You are the administrator of two Windows 2000 Advanced Server computers. You need to configure these servers for use as cluster nodes. Each server contains two network adapters. One network adapter in each server is designated for Client access only. The second network adapter in each server is designated for Internal cluster communications only. You plan to connect the second network in each server to a stand-alone hub, You need to configure the IP addresses for the four network adapters. You want to minimize the chance of a failure in the network connectivity on both servers. What should you do?

- A. Configure static IP addresses for the network adapters that are designated for Client access only. Configure static IP addresses for the network adapters that are designated for Internal cluster communications only.
- B. Configure dynamic IP addresses for the network adapters that are designated for Client access only. Configure dynamic IP addresses for the network adapters that are designated for Internal cluster communications only.
- C. Configure static IP addresses for the network adapters that are designated for Client access only. Configure dynamic IP addresses for the network adapters that are designated for Internal cluster communications only.
- D. Configure dynamic IP addresses for the network adapters that are designated for Client access only. Configure static IP addresses for the network adapters that are designated for Internal cluster communications only.

Answer: A

QUESTION: 6

You are the administrator of two Windows 2000 Advanced Server computers named Server1 and Server2. You need to install the Cluster service on both servers to create a new cluster. First, you install two network adapters in each computer. You connect and configure the network adapters as shown in the following diagram. You successfully install the Cluster service on Server1 and create a cluster named Cluster1. Next, you attempt to install the Cluster service on Server2 and to join Server2 to Cluster1. The Cluster service Setup fails, and you receive the following error message: "Setup was unable to locate Cluster1 on the network." You want to complete the Cluster service Setup. What should you do?



- A. Uninstall the Cluster service on Server1. Change the IP address on Adapter 1A to 172.17.55.14. Reinstall the Cluster service on both servers.
- B. Uninstall the Cluster service on Server1. Change the IP address on Adapter 1A to 172.17.55.13. Change the IP address on Adapter 2B to 172.17.54.13. Reinstall the Cluster service on both servers.
- C. Change the IP address on Adapter 1A to 172.17.54.14. Change the IP address on Adapter 2B to 172.17.55.13. Run the Cluster service Setup on Server2.
- D. Change the IP address on Adapter 1B to 172.17.55.13. Change the IP address on Adapter 2A to 172.17.54.14. Run the Cluster service Setup on Server2.

Answer: D

QUESTION: 7

You are the administrator of a Windows 2000 Advanced Server computer. You need to prepare the server for use as a cluster node. The server contains a SCSI controller and three internal 4.3-GB hard disks. You plan to attach the server to an external storage subsystem that contains eight 18.3-GB hard disks. You connect the three 4.3-GB hard disks to the SCSI controller's internal connector. Next, you connect the external storage subsystem to the SCSI controller's external connector. When you start the server, you receive numerous BIOS error messages that indicate errors on the SCSI bus. Before installing the Cluster service, you need to be able to access the internal and external disks that are attached to the server. What should you do?

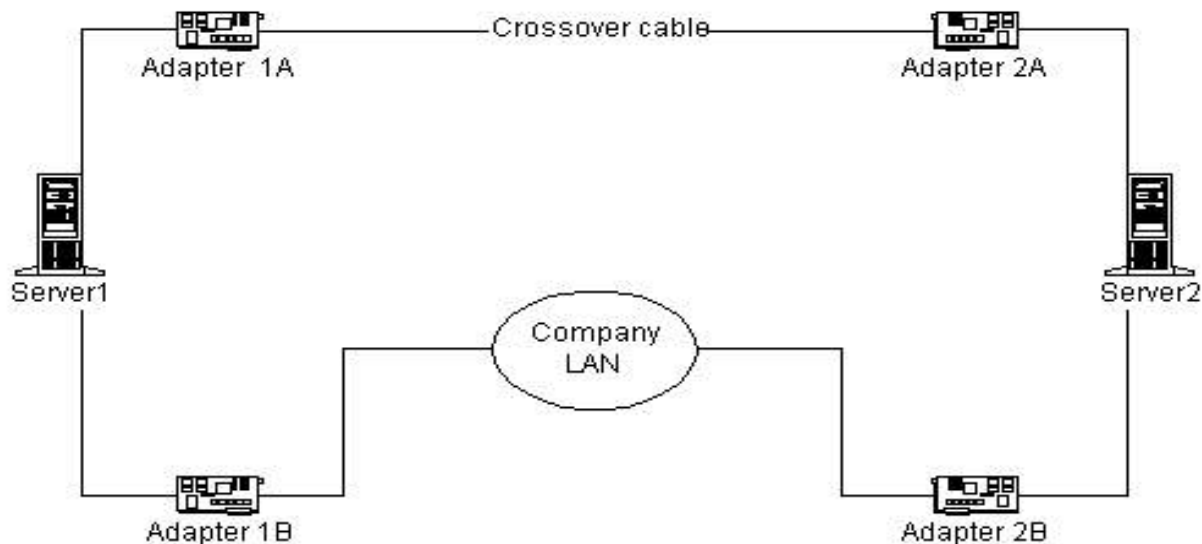
- A. Replace the SCSI controller.
- B. Replace the external SCSI cable.
- C. Set the SCSI ID to 6.

- D. Install an additional SCSI controller in the server. Connect the external drive array to the new controller's external connector.
- E. Disable the on-board SCSI termination on the SCSI controller.
- Connect a SCSI terminator to the SCSI-out connector on the external storage subsystem.

Answer: D

QUESTION: 8

You are the administrator of two Windows 2000 Advanced Server computers named Server1 and Server2. You install two network adapters in each server and then connect them as shown in the following diagram. You turn off Server2 and begin installing the Cluster service on Server1. In the Cluster Service Configuration wizard, you designate Client access only for Adapter 1B. The wizard does not allow you to configure Adapter 1A, however. You verify that the crossover cable between Adapter 1A and Adapter 2A is connected properly. You need to designate Internal cluster communications only for Adapter 1A. What should you do?



- A. Start Server2, and enter the BIOS setup screen. Run the Cluster Service Configuration wizard on Server1. Designate Adapter 1A for Internal cluster communications only.
- B. Start Server2, and start Windows 2000 Advanced Server, but do not log on. Run the Cluster Service Configuration wizard on Server1. Designate Adapter 1A for Internal cluster communications only.
- C. Disconnect the crossover cable from Adapter 1A. Run the Cluster Service Configuration wizard on Server1. Designate Adapter 1A for Internal cluster communications only. Connect the crossover cable to Adapter 1A.
- D. Disconnect the crossover cable from Adapter 1A. Run the Cluster Service Configuration wizard on Server1. Designate Adapter 1A for All communications. Connect the crossover cable to Adapter

Pass4SureOfficial.com Lifetime Membership Features;

- Pass4SureOfficial Lifetime Membership Package includes over **2500** Exams.
- **All** exams Questions and Answers are included in package.
- **All** Audio Guides are included **free** in package.
- **All** Study Guides are included **free** in package.
- **Lifetime** login access.
- Unlimited download, no account expiry, no hidden charges, just one time \$99 payment.
- **Free updates** for Lifetime.
- **Free Download Access** to All new exams added in future.
- Accurate answers with explanations (If applicable).
- Verified answers researched by industry experts.
- Study Material **updated** on regular basis.
- Questions, Answers and Study Guides are downloadable in **PDF** format.
- Audio Exams are downloadable in **MP3** format.
- **No authorization** code required to open exam.
- **Portable** anywhere.
- 100% success **Guarantee**.
- **Fast**, helpful support 24x7.

View list of All exams (Q&A) downloads

<http://www.pass4sureofficial.com/allexams.asp>

View list of All Study Guides (SG) downloads

<http://www.pass4sureofficial.com/study-guides.asp>

View list of All Audio Exams (AE) downloads

<http://www.pass4sureofficial.com/audio-exams.asp>

Download All Exams Samples

<http://www.pass4sureofficial.com/samples.asp>

To purchase \$99 Lifetime Full Access Membership click here

<http://www.pass4sureofficial.com/purchase.asp>

3COM	CompTIA	Filemaker	IBM	LPI	OMG	Sun
ADOBE	ComputerAssociates	Fortinet	IISFA	McAfee	Oracle	Sybase
APC	CWNP	Foundry	Intel	McData	PMI	Symantec
Apple	DELL	Fujitsu	ISACA	Microsoft	Polycom	TeraData
BEA	ECCouncil	GuidanceSoftware	ISC2	Mile2	RedHat	TIA
BICSI	EMC	HDI	ISEB	NetworkAppliance	Sair	Tibco
CheckPoint	Enterasys	Hitachi	ISM	Network-General	SASInstitute	TruSecure
Cisco	ExamExpress	HP	Juniper	Nokia	SCP	Veritas
Citrix	Exin	Huawei	Legato	Nortel	See-Beyond	Vmware
CIW	ExtremeNetworks	Hyperion	Lotus	Novell	SNIA	

