

642-372

Cisco

Cisco Express Foundation for Systems Engineers

Visit: <http://www.pass4sureofficial.com/exams.asp?examcode=642-372>

Pass4sureofficial.com is a reputable IT certification examination guide, study guides and audio exam provider, we not only ensure that you pass your 642-372 exam in first attempt, but also you can get a high score to acquire Cisco certification.

If you use pass4sureofficial 642-372 Certification questions and answers, you will experience actual 642-372 exam questions/answers. We know exactly what is needed and have all the exam preparation material required to pass the exam. Our Cisco exam prep covers over 95% of the questions and answers that may be appeared in your 642-372 exam. Every point from pass4sure 642-372 PDF, 642-372 review will help you take Cisco 642-372 exam much easier and become Cisco certified. All the Questions/Answers are taken from real exams.

Here's what you can expect from the Pass4sureOfficial Cisco 642-372 course:

- * Up-to-Date Cisco 642-372 questions taken from the real exam.
- * 100% correct Cisco 642-372 answers you simply can't find in other 642-372 courses.
- * All of our tests are easy to download. Your file will be saved as a 642-372 PDF.
- * Cisco 642-372 brain dump free content featuring the real 642-372 test questions.

Cisco 642-372 certification exam is of core importance both in your Professional life and Cisco certification path. With Cisco certification you can get a good job easily in the market and get on your path for success. Professionals who passed Cisco 642-372 exam training are an absolute favorite in the industry. You will pass Cisco 642-372 certification test and career opportunities will be open for you.



QUESTION 1

Which CiscoWorks component would most help you locate end-station connections at the access switch level quickly?

- A. CiscoView
- B. Campus Manager
- C. Resource Manager Essentials
- D. Device Fault Manager

Answer: B

QUESTION 2

At which stage of the Cisco Lifecycle Services approach should customer education presentations occur?

- A. Operation
- B. Implementation
- C. Planning
- D. Design
- E. Optimization

Answer: C

QUESTION 3

Which item is a feature of Cisco Compatible Extensions, Version 3?

- A. Wireless IDS
- B. NAC
- C. Full WPAV2 compliance
- D. Full 802.11e compliance

Answer: C

QUESTION 4

Which VMS Security Monitor tool allows you to monitor data for patterns of attacks from one machine to a list of targets?

- A. Advanced Correlation Engine
- B. Management Center for CSA
- C. CiscoWorks Dashboard
- D. Advanced Notification Engine

Answer: A

QUESTION 5

Cisco ASDM provides 16 different graphs that help identify security risks by displaying data about potentially malicious activity. What is one kind of data these graphs show?

- A. Portmap requests
- B. Stateful packet statistics
- C. Real-time analysis of dropped packets
- D. ACL statement matches

Answer: A

QUESTION 6

Which Cisco Security tool can best determine if a Cisco ISR router is properly secured?

- A. Cisco Security Agent MC
- B. Cisco Security MARS
- C. CAN
- D. Cisco Security Instellishield
- E. Cisco SDM Security Audit

Answer: E

QUESTION 7

DRAG DROP

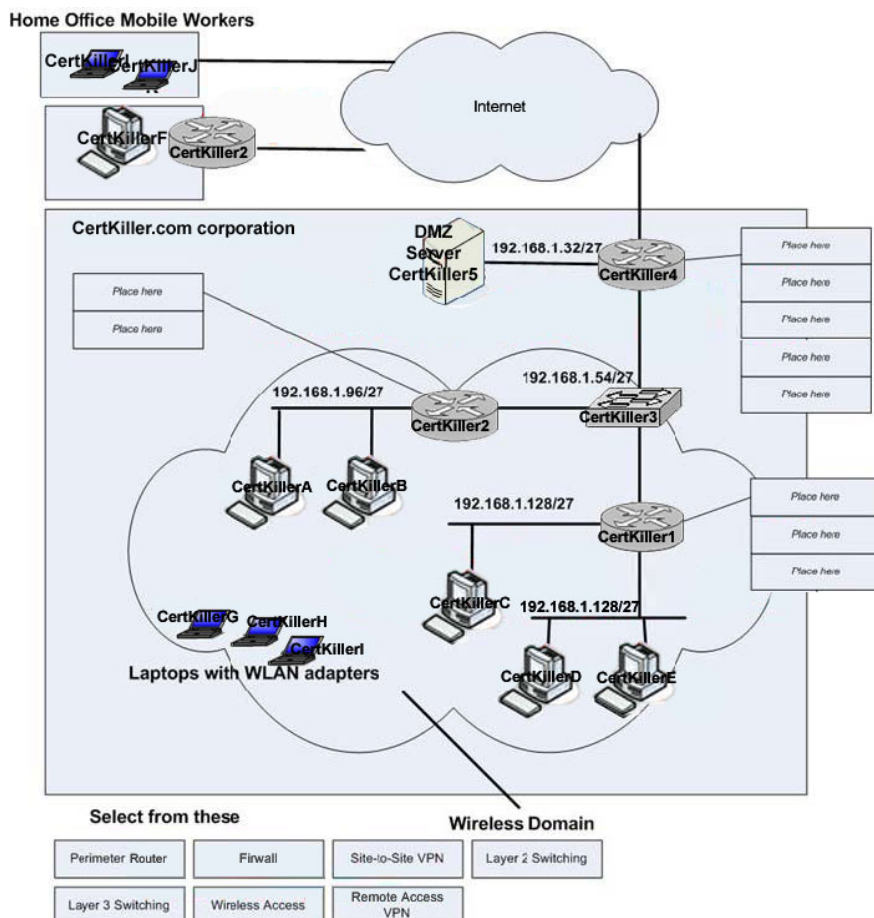
You work as a network technician at Certkiller .com. Study the exhibit carefully.

The Certkiller .com network have the following parts: main corporate Office in London, one remote site in Leipzig, and a few home offices. The London office must provide connectivity to local hardwire users and campus wide roaming wireless users. The London office must also provide connectivity to the Leipzig office and the home offices. The internet is by Certkiller .com to provide this connectivity. Naturally the communications between the sites must be secure. The home offices need on-demand access while the Leipzig office must have 7x24 access.

You are required to implement the network design shown in the diagram based upon ISR routers.

You need to, for each router, identify the function.

Each option can be used more than once.



Answer:

QUESTION 8

What is the benefit of using the Cisco Easy VPN Server feature along with the Cisco Software VPN client for implementing remote-access VPNs?

- A. The Cisco Easy VPN Server feature allows the Cisco Software VPN Client to receive its security policies from the Central site VPN Device. This minimizes the configuration requirements at the remote location for large remote access VPN deployments
- B. The Cisco Easy VPN Server feature and the Cisco Software VPN Client use hardware-based encryption to reduce the CPU overhead of the Central Site VPN router
- C. The Cisco Easy VPN Server feature and the Cisco Software VPN Client use the same GUI configuration tool to simplify remote-access VPN configurations
- D. The Cisco Easy VPN Server feature and the Cisco Software VPN Client enable scalable remote-access VPNs deployment by using a thick client/thin server model where the central site VPN router can handle thousands of incoming VPN Connections

Answer: A

QUESTION 9

On what lower-level transport protocol does CiscoWorks LAN Management solution rely

Pass4SureOfficial.com Lifetime Membership Features;

- Pass4SureOfficial Lifetime Membership Package includes over **2500** Exams.
- **All** exams Questions and Answers are included in package.
- **All** Audio Guides are included **free** in package.
- **All** Study Guides are included **free** in package.
- **Lifetime** login access.
- Unlimited download, no account expiry, no hidden charges, just one time \$99 payment.
- **Free updates** for Lifetime.
- **Free Download Access** to All new exams added in future.
- Accurate answers with explanations (If applicable).
- Verified answers researched by industry experts.
- Study Material **updated** on regular basis.
- Questions, Answers and Study Guides are downloadable in **PDF** format.
- Audio Exams are downloadable in **MP3** format.
- **No authorization** code required to open exam.
- **Portable** anywhere.
- 100% success **Guarantee**.
- **Fast**, helpful support 24x7.

View list of All exams (Q&A) downloads

<http://www.pass4sureofficial.com/allexams.asp>

View list of All Study Guides (SG) downloads

<http://www.pass4sureofficial.com/study-guides.asp>

View list of All Audio Exams (AE) downloads

<http://www.pass4sureofficial.com/audio-exams.asp>

Download All Exams Samples

<http://www.pass4sureofficial.com/samples.asp>

To purchase \$99 Lifetime Full Access Membership click here

<http://www.pass4sureofficial.com/purchase.asp>

3COM	CompTIA	Filemaker	IBM	LPI	OMG	Sun
ADOBE	ComputerAssociates	Fortinet	IISFA	McAfee	Oracle	Sybase
APC	CWNP	Foundry	Intel	McData	PMI	Symantec
Apple	DELL	Fujitsu	ISACA	Microsoft	Polycom	TeraData
BEA	ECCouncil	GuidanceSoftware	ISC2	Mile2	RedHat	TIA
BICSI	EMC	HDI	ISEB	NetworkAppliance	Sair	Tibco
CheckPoint	Enterasys	Hitachi	ISM	Network-General	SASInstitute	TruSecure
Cisco	ExamExpress	HP	Juniper	Nokia	SCP	Veritas
Citrix	Exin	Huawei	Legato	Nortel	See-Beyond	Vmware
CIW	ExtremeNetworks	Hyperion	Lotus	Novell	SNIA	

