

# 1D0-441

## CIW

### CIW Database Specialist

Visit: <http://www.pass4sureofficial.com/exams.asp?examcode=1D0-441>

Pass4sureofficial.com is a reputable IT certification examination guide, study guides and audio exam provider, we not only ensure that you pass your 1D0-441 exam in first attempt, but also you can get a high score to acquire CIW certification.

If you use pass4sureofficial 1D0-441 Certification questions and answers, you will experience actual 1D0-441 exam questions/answers. We know exactly what is needed and have all the exam preparation material required to pass the exam. Our CIW exam prep covers over 95% of the questions and answers that may be appeared in your 1D0-441 exam. Every point from pass4sure 1D0-441 PDF, 1D0-441 review will help you take CIW 1D0-441 exam much easier and become CIW certified. All the Questions/Answers are taken from real exams.

Here's what you can expect from the Pass4sureOfficial CIW 1D0-441 course:

- \* Up-to-Date CIW 1D0-441 questions taken from the real exam.
- \* 100% correct CIW 1D0-441 answers you simply can't find in other 1D0-441 courses.
- \* All of our tests are easy to download. Your file will be saved as a 1D0-441 PDF.
- \* CIW 1D0-441 brain dump free content featuring the real 1D0-441 test questions.

CIW 1D0-441 certification exam is of core importance both in your Professional life and CIW certification path. With CIW certification you can get a good job easily in the market and get on your path for success. Professionals who passed CIW 1D0-441 exam training are an absolute favorite in the industry. You will pass CIW 1D0-441 certification test and career opportunities will be open for you.



**Question: 1**

A foreign key maps to a:

- A. Prime key.
- B. Indirect key.
- C. Parent key.
- D. Composite key.

**Answer: C**

**Question: 2**

Consider the relation shown in the exhibit. Which of the following SQL statements would properly add information for a new employee?

Emp_ID	First_Name	Last_Name	Birth_Date
0001	Helen	Lee	12-05-75
0002	James	Smith	10-25-76
0003	Eliza	Perez	02-15-80
0004	Samuel	Hayes	11-07-71

**Employee Relation**

- A. INSERT INTO Employee  
VALUES(0005, Tim, Bogart, 03-15-77);
- B. INSERT INTO Employee(Emp\_ID, First\_Name, Last\_Name, Birth\_Date)  
VALUES(0004, Tim, Bogart, 03-15-77);
- C. INSERT INTO Employee(Emp\_ID, First\_Name, Last\_Name, Birth\_Date)  
VALUES(0005, Tim, Bogart, 03-05-77);
- D. INSERT INTO Employee (Emp\_ID, First\_Name, Last\_Name, Birth\_Date)  
VALUES (0005, Tim, Bogart, 03-05-77);

**Answer: D**

**Question: 3**

Which pair of relational algebraic operations requires union compatibility?

- A. Union and join
- B. Selection and projection
- C. Intersection and difference
- D. Cartesian product and intersection

**Answer: C**

**Question: 4**

Which static member of the ResultSet class should be used to create an updatable result set?

- A. ResultSet.TYPE\_FORWARD\_ONLY
- B. ResultSet.TYPE\_FORWARD\_UPDATABLE

C. ResultSet.TYPE\_SCROLL\_INSENSITIVE  
D. ResultSet.TYPE\_SCROLL\_SENSITIVE

**Answer: D**

**Question: 5**

Which method of the Statement interface could be used to delete data from a database?

- A. executeUpdate
- B. executeQuery
- C. close
- D. clearBatch

**Answer: A**

**Question: 6**

Which JDBC interface is used to extract information about the database schema?

- A. ResultSet
- B. Connection
- C. DatabaseMetaData
- D. ResultSetMetaData

**Answer: C**

**Question: 7**

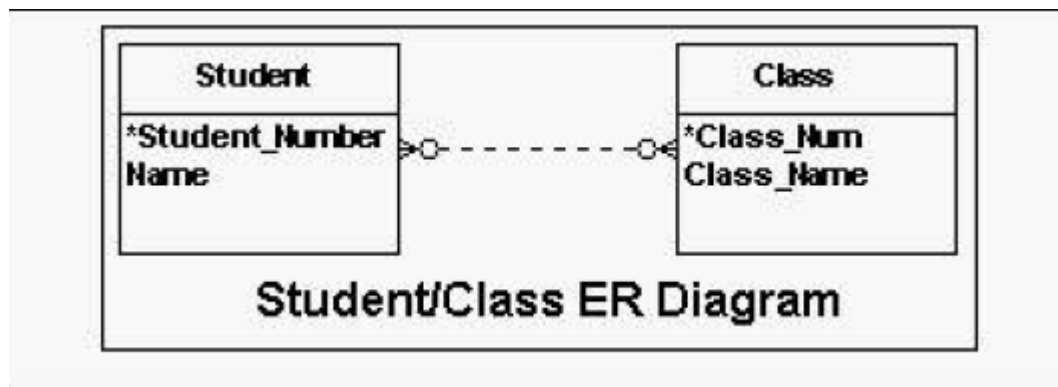
Which of the following statements is true of the Connection interface?

- A. Each JDBC client application must provide a class that implements the Connection interface.
- B. Each JDBC driver provides a class that implements the Connection interface.
- C. Each JVM provides a class that implements the Connection interface.
- D. The Connection interface can be used to load a JDBC driver.

**Answer: B**

**Question: 8**

Consider the Entity-Relation diagram shown in the exhibit. When the logical database design phase is completed, which of the following is a valid DBDL description of the base relations for the Entity-Relation diagram?



A. STUDENT(

Student\_Number: integer NOT NULL  
 Name: variable length character string length 20 NOT NULL)  
 Primary Key Student\_Number  
 CLASS(  
 Class\_Num: integer NOT NULL  
 Class\_Name: integer NOT NULL)  
 Primary Key Class\_Num  
 B. STUDENT(  
 Student\_Number: integer NOT NULL  
 Name: variable length character string length 20 NOT NULL)  
 Primary Key Student\_Number  
 CLASS(  
 Class\_Num: integer NOT NULL  
 Class\_Name: integer NOT NULL)  
 Primary Key Class\_Num  
 Foreign Key Class\_Num References STUDENT  
 C. STUDENT(  
 Student\_Number: integer NOT NULL  
 Name: variable length character string length 20 NOT NULL)  
 Primary Key Student\_Number  
 STU\_CLASS(  
 Student\_Number: integer NOT NULL  
 Class\_Num: integer NOT NULL)  
 Primary Key Student\_Number  
 CLASS(  
 Class\_Num: integer NOT NULL  
 Class\_Name: integer NOT NULL)  
 Primary Key Class\_Num  
 D. STUDENT(  
 Student\_Number: integer NOT NULL  
 Name: variable length character string length 20 NOT NULL)  
 Primary Key Student\_Number  
 STU\_CLASS(  
 Student\_Number: integer NOT NULL  
 Class\_Num: integer NOT NULL)  
 Primary Key Student\_Number, Class\_Num  
 CLASS(  
 Class\_Num: integer NOT NULL  
 Class\_Name: integer NOT NULL)  
 Primary Key Class\_Num

**Answer: D**

**Question: 9**

What is the highest normal form of the relation(s) shown in the exhibit?

## Pass4SureOfficial.com Lifetime Membership Features;

- Pass4SureOfficial Lifetime Membership Package includes over **2500** Exams.
- **All** exams Questions and Answers are included in package.
- **All** Audio Guides are included **free** in package.
- **All** Study Guides are included **free** in package.
- **Lifetime** login access.
- Unlimited download, no account expiry, no hidden charges, just one time \$99 payment.
- **Free updates** for Lifetime.
- **Free Download Access** to All new exams added in future.
- Accurate answers with explanations (If applicable).
- Verified answers researched by industry experts.
- Study Material **updated** on regular basis.
- Questions, Answers and Study Guides are downloadable in **PDF** format.
- Audio Exams are downloadable in **MP3** format.
- **No authorization** code required to open exam.
- **Portable** anywhere.
- 100% success **Guarantee**.
- **Fast**, helpful support 24x7.

View list of All exams (Q&A) downloads

<http://www.pass4sureofficial.com/allexams.asp>

View list of All Study Guides (SG) downloads

<http://www.pass4sureofficial.com/study-guides.asp>

View list of All Audio Exams (AE) downloads

<http://www.pass4sureofficial.com/audio-exams.asp>

Download All Exams Samples

<http://www.pass4sureofficial.com/samples.asp>

To purchase \$99 Lifetime Full Access Membership click here

<http://www.pass4sureofficial.com/purchase.asp>

3COM	CompTIA	Filemaker	IBM	LPI	OMG	Sun
ADOBE	ComputerAssociates	Fortinet	IISFA	McAfee	Oracle	Sybase
APC	CWNP	Foundry	Intel	McData	PMI	Symantec
Apple	DELL	Fujitsu	ISACA	Microsoft	Polycom	TeraData
BEA	ECCouncil	GuidanceSoftware	ISC2	Mile2	RedHat	TIA
BICSI	EMC	HDI	ISEB	NetworkAppliance	Sair	Tibco
CheckPoint	Enterasys	Hitachi	ISM	Network-General	SASInstitute	TruSecure
Cisco	ExamExpress	HP	Juniper	Nokia	SCP	Veritas
Citrix	Exin	Huawei	Legato	Nortel	See-Beyond	Vmware
CIW	ExtremeNetworks	Hyperion	Lotus	Novell	SNIA	

