

# GB0-320

## Huawei

### *Constructing Enterprise-level Switching Networks*

*OfficialCerts.com is a reputable IT certification examination guide, study guides and audio exam provider. We ensure that you pass your GB0-320 exam in first attempt and also get high scores to acquire Huawei certification.*

*If you use OfficialCerts GB0-320 Certification questions and answers, you will experience actual GB0-320 exam questions/answers. We know exactly what is needed and have all the exam preparation material required to pass the exam. Our Huawei exam prep covers over 95% of the questions and answers that may be appeared in your GB0-320 exam. Every point from pass4sure GB0-320 PDF, GB0-320 review will help you take Huawei GB0-320 exam much easier and become Huawei certified.*

*Here's what you can expect from the OfficialCerts Huawei GB0-320 course:*

- \* Up-to-Date Huawei GB0-320 questions as experienced in the real exam.*
- \* 100% correct Huawei GB0-320 answers you simply can't find in other GB0-320 courses.*
- \* All of our tests are easy to download. Your file will be saved as a GB0-320 PDF.*
- \* Huawei GB0-320 brain dump free content featuring the real GB0-320 test questions.*

*Huawei GB0-320 certification exam is of core importance both in your Professional life and Huawei certification path. With Huawei certification you can get a good job easily in the market and get on your path for success. Professionals who passed Huawei GB0-320 exam training are an absolute favorite in the industry. You will pass Huawei GB0-320 certification test and career opportunities will be open for you.*

<http://news.ift.org/?newsid=exams.asp?examcode=GB0-320>



**QUESTION: 1**

Multiple layer switching is realized according to the following information. ( )

- A. Source MAC address and destination MAC address
- B. Source IP address and destination IP address
- C. source port number and destination port number
- D. IP packet protocol number

**Answer:** Pending. Please put your suggestions to [terry@troytec.com](mailto:terry@troytec.com)

**QUESTION: 2**

The Ethernet at the early stage is based on the medium of ( ). Only after the appearance of the Ethernet based on ( ), Ethernet is developed to be the LAN standard we usually talk about.

- A. Coaxial cable; Twisted pair
- B. Twisted pair; Optical cable
- C. Coaxial cable; Optical cable
- D. Twisted pair; Coaxial cable

**Answer:** A

**QUESTION: 3**

Data flow priority technology enables the switch to forward data or information flow with a higher priority first, thus ensuring that the data with a higher priority is transmitted in the LAN with the least delay and enough bandwidth. In practice, the switch can implement the identification, priority allocation and forwarding of the data flow. Also, the network terminal may allocate priorities for the data frame and then the switch forwards them according to their priority flags. ( )

- A. True
- B. False

**Answer:** A

**QUESTION: 4**

In default, which is the interval when the router sends out IGMP query message?

- A. 100 seconds
- B. 125 seconds
- C. 10 seconds
- D. 50 seconds

**Answer:** B

**QUESTION: 5**

Which of the following descriptions of RPF (Reverse Path Forwarding) are true?

- A. RPF is the data packet forwarding method adopted by the broadcast data.
- B. RPF is the data packet forwarding method adopted by the multicast data.
- C. RPF forwards the data according to the source address of the multicast packet.
- D. RPF forwards the data according to the destination address of the multicast packet.

**Answer:** B, C

**QUESTION: 6**

Which of the following items may be displayed in the multicast forwarding table of the layer 2 Ethernet switch?

- A. Multicast IP address
- B. Multicast MAC address
- C. The corresponding port of the Multicast IP address
- D. Multicast IP address of the next hop

**Answer:** B, C

**QUESTION: 7**

Which of the following descriptions of the IP address 224.0.0.1 are true?

- A. This is a multicast IP address

- B. This is a private IP address
- C. It stands for all the hosts and routers
- D. It stands for all the routers
- E. It cannot be used in Internet for multicast communication.

**Answer:** A, C, E

**QUESTION: 8**

What operation is needed for starting PIM-DM on the layer 3 LAN switch?

- A. Configure VLAN virtual interface
- B. Start multicast routing protocol
- C. Start PIM-DM over every VLAN interface
- D. Start PIM-DM over only one VLAN interface

**Answer:** A, B, C

**QUESTION: 9**

Which of the following descriptions of 80/20 rules are true? ( )

- A. The traditional 80/20 flow mode cannot adapt to the new INTERNET/INTRANET application.
- B. 20/80 flow mode is more applied in the case where the internet data flow is far more than the intranet data flow.
- C. In the 20/80 network composed of layer 2 switch and routers, the working load of the router is bigger.
- D. All the above descriptions are false.

**Answer:** A, B, C

**QUESTION: 10**

Compared with the common Ethernet packet, which of the following items are newly added in VLAN packet ruled in IEEE802.1Q protocol? ( )

- A. TPID (Tag Protocol Identifier)

- B. Priority
- C. Canonical Format Indicator (CFI)
- D. VLAN Identifier (VLAN ID)

**Answer:** Pending. Please put your suggestions to [terry@troytec.com](mailto:terry@troytec.com)

**QUESTION: 11**

The VLAN segmentation method include: ( )

- A. Port-based VLAN
- B. Protocol-based VLAN
- C. Subnet-based VLAN
- D. MAC based VLAN

**Answer:** Pending. Please put your suggestions to [terry@troytec.com](mailto:terry@troytec.com)

**QUESTION: 12**

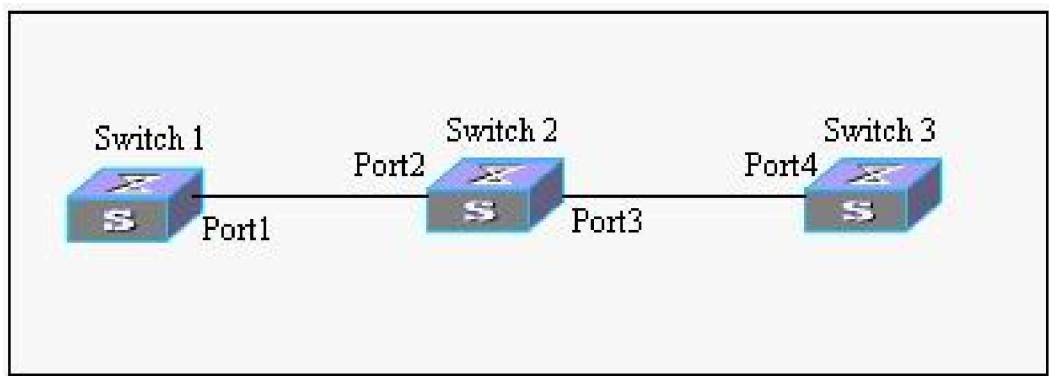
Which of the following PIM-DM messages are transmitted by the unicast?

- A. Hello message
- B. Registration message
- C. Grafting message
- D. Grafting response message

**Answer:** C, D

**QUESTION: 13**

As shown in the following figure, the corresponding links of Port 1 ~ Port 4 are the trunk links allowing all the VLANs to pass and the GVRP protocol is activated. The GVRP registration modes of all the ports are set to be Normal. VLAN5~VLAN10 are configured on the switch 1. The following are the VLAN configuration situations of the ports of the switch. Which of the items are true? ( )

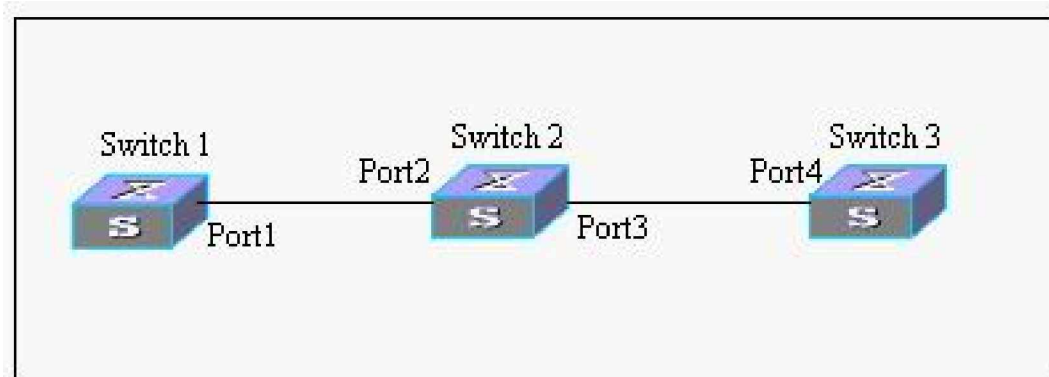


- A. VLAN5~VLAN10 are configured over port1~port 4.
- B. VLAN5~VLAN10 are configured over port 1, port 2 and port 4.
- C. VLAN5~VLAN10 are configured over port 1 and port 3.
- D. VLAN5~VLAN10 are configured over port 1 and port 4.

**Answer:** B

**QUESTION:** 14

As shown in the following figure, the corresponding links of Port 1 ~ Port 4 are the trunk links. Among them, Port 2-switch 2 is configured to allow VLAN 15~VLAN 25 to pass. GVRP protocol is activated and GVRP registration modes of all the ports are set to be Normal. VLAN10~VLAN19 are configured on the switch 1 and VLAN 20~VLAN 30 are configured on the switch 3. The following are the VLAN configuration situations of the ports of the switch except the default VLAN. Which of the items are true? ( )



- A. VLAN 10~VLAN 25 are configured over port 1
- B. VLAN 15~VLAN 19 are configured over port 2.

## OfficialCerts.com Certification Exam Full Version Features;

- Verified answers researched by industry experts.
- Exams **updated** on regular basis.
- Questions, Answers are downloadable in **PDF** format.
- **No authorization** code required to open exam.
- **Portable** anywhere.
- 100% success **Guarantee**.
- **Fast**, helpful support 24x7.

View list of All exams we offer;

<http://www.officialcerts.com/allexams.asp>

To contact our Support;

<http://www.officialcerts.com/support.asp>

View FAQs

<http://www.officialcerts.com/faq.asp>

Download All Exams Samples

<http://www.officialcerts.com/samples.asp>

To purchase Full Version and updated exam;

<http://www.officialcerts.com/allexams.asp>



Shop now using **PayPal**



3COM	CompTIA	Filemaker	IBM	LPI	OMG	Sun
ADOBE	ComputerAssociates	Fortinet	IISFA	McAfee	Oracle	Sybase
APC	CWNP	Foundry	Intel	McData	PMI	Symantec
Apple	DELL	Fujitsu	ISACA	Microsoft	Polycom	TeraData
BEA	ECCouncil	GuidanceSoftware	ISC2	Mile2	RedHat	TIA
BICSI	EMC	HDI	ISEB	NetworkAppliance	Sair	Tibco
CheckPoint	Enterasys	Hitachi	ISM	Network-General	SASInstitute	TruSecure
Cisco	ExamExpress	HP	Juniper	Nokia	SCP	Veritas
Citrix	Exin	Huawei	Legato	Nortel	See-Beyond	Vmware
CIW	ExtremeNetworks	Hyperion	Lotus	Novell	Google	

*You have made the*  
**Right Choice**

You are becoming member of most comprehensive, accurate, highest quality and lowest cost certification resource in the world.

