

# 70-218

## Microsoft

### *Managing a Microsoft Windows 2000 Network Environment*

Visit: <http://www.pass4sureofficial.com/exams.asp?examcode=70-218>

Pass4sureofficial.com is a reputable IT certification examination guide, study guides and audio exam provider, we not only ensure that you pass your 70-218 exam in first attempt, but also you can get a high score to acquire Microsoft certification.

If you use pass4sureofficial 70-218 Certification questions and answers, you will experience actual 70-218 exam questions/answers. We know exactly what is needed and have all the exam preparation material required to pass the exam. Our Microsoft exam prep covers over 95% of the questions and answers that may be appeared in your 70-218 exam. Every point from pass4sure 70-218 PDF, 70-218 review will help you take Microsoft 70-218 exam much easier and become Microsoft certified. All the Questions/Answers are taken from real exams.

Here's what you can expect from the Pass4sureOfficial Microsoft 70-218 course:

- \* Up-to-Date Microsoft 70-218 questions taken from the real exam.
- \* 100% correct Microsoft 70-218 answers you simply can't find in other 70-218 courses.
- \* All of our tests are easy to download. Your file will be saved as a 70-218 PDF.
- \* Microsoft 70-218 brain dump free content featuring the real 70-218 test questions.

Microsoft 70-218 certification exam is of core importance both in your Professional life and Microsoft certification path. With Microsoft certification you can get a good job easily in the market and get on your path for success. Professionals who passed Microsoft 70-218 exam training are an absolute favorite in the industry. You will pass Microsoft 70-218 certification test and career opportunities will be open for you.



**Objectives:**

A.	Creating, Configuring, Managing, Securing and Troubleshooting File, Print and Web Resources
B.	Configuring, Administering, and Troubleshooting the Network Infrastructure
C.	Managing, Securing, and Troubleshooting Servers and Client Computers
D.	Configuring, Managing, Securing, and Troubleshooting Active Directory Organizational Units and Group Policy
E.	Configuring, Securing and Troubleshooting Remote Access

► **Relevant objective of each question is mentioned with question number.**

### Question 1.(C)

You are a network administrator for your company. The network consists of a single Windows 2000 domain. All servers run Windows 2000 Server. All client computers run Windows 2000 Professional.

The manager of the accounting department reports that files located in shared folders on a server named ServerA are being deleted and must continually be restored from backup.

You are asked to configure the local security policy on Server A to find out who is deleting the files. You enable auditing on the affected files and folders for all users in the domain.

Which audit policy or security policy should you enable on ServerA?

- A. Audit Access of Global System Objects security policy
- B. Account Logon Events – Success audit policy
- C. Logon Events – Success audit policy
- D. Object Access – Success audit policy
- E. Privilege Use – Success audit policy

**Answer: D**

#### Explanation:

By auditing Object Access we will be able to track user access to network objects. These include access to files, folders, and printers. Furthermore, we want to track the user or users that are deleting the shared files. As the user or users are able to delete the files, they are gaining access to the shared files and folders. We should therefore audit for success since we want to find out who is successfully deleting the files.

#### Incorrect Answers:

**A:** In this scenario we must use an audit policy, not a security policy, as we want to audit events.

**B:** When we audit **Account Logon Events**, Windows 2000 logs or records information when a domain controller received a request to validate a user account. However, in this scenario we want to audit files that are being deleted. As files are network objects, we should audit Object Access instead.

**C:** When we audit **Logon Events**, Windows 2000 logs or records information related to when a user logs on or logs off the domain. In this scenario, however, we are not interested in this kind of information. Instead we are interested in information pertaining to the deleting of shared files. As files are network objects, we should audit Object Access.

**E:** When we audit **Privilege Use**, Windows 2000 logs or records information related to the use of privilege a right. We are however not interested in this type of information. Furthermore, the deleting files is not a privileged right. It is an object access event. We should therefore audit Object Access.

### Question 2.(A)

You are a network administrator for your company. The network consists of a single Windows 2000 domain. All client computers run Windows 2000 Professional and are member of the domain.

Peter is a user in the graphic department. He connects a print device to his computer. He wants other users in the graphics department to be able to find the printer directory and to use it to print documents from the network.

Peter reports that neither he nor any other users can find the printer in the directory and that no remote users can submit print jobs. Peter can print documents locally.

You need to ensure that Peter and other users in the graphics department can find the printer in the directory and can print documents from the network. What should you do?

- A. In the printer properties, share the printer on Peter's computer.

- B. In the printer properties, assign the Everyone group the Allow – Print permission.
- C. In Active Directory Users and Computers, add the printer as a child object to Peter's computer object.
- D. In Active Directory Users and Computers, select the Trust computer for delegation check box in Peter's computer properties.
- E. In Active Directory Users and Computers, assign users in the graphics department the Allow – Read Public Information permission for Peter's computer object.

**Answer: A**

**Explanation:**

Simply sharing a printer on a Windows 2000 Professional computer that is part of the Domain will publish the printer in the Active Directory automatically. Printers on non-Windows 2000 print servers must be published manually in Active Directory.

**Incorrect answers:**

- B:** The Everyone group gets **Allow-Print** permission by default when the printer is shared.
- C:** Peter must share the printer first. The printer you want to publish must be shared.
- D:** Peter must share the printer first. Peter's computer doesn't need the **Trust computer for delegation** rights in order to share and publish the printer in the Active Directory.
- E:** Peter must share the printer. Users don't have to assigned **Read Public Information** permission on Peter's computer in order to use a shared printer.

**Question 3. (A)**

You are the administrator of a Windows 2000 file server named ServerA. ServerA is a member server in Windows 2000 domain. You create a folder named H:\EmployeeHandbook on a volume that is formatted as NTFS. You share the folder as EmployeeHandbook\$.

You want users of Windows 2000 Professional computers to be able to search the network for the share by name. You want the users to be able to find the share without needing to know the name of the server.

What should you do?

- A. Run the net share EmployeeHandbook\$ command on a domain controller.
- B. Publish the share in Active Directory by using Active Directory Users and Computers.
- C. Run the dcpromo command on ServerA.
- D. Create a virtual directory for the folder with an alias of EmployeeHandbook.

**Answer: B**

**Explanation:**

It is possible to publish a hidden share in the Active Directory. This share could then be accessed through Active Directory; you could search for it. It would still be hidden in Windows Explorer or in My Network places for example.

**Reference:**

Publishing a Shared Folder in Windows 2000 Active Directory (Q234582)

**Note:** By adding a \$-sign to the end of a share name the share will be hidden. No one will be able to see a hidden share or be able to browse to the hidden share.

**Incorrect answers:**

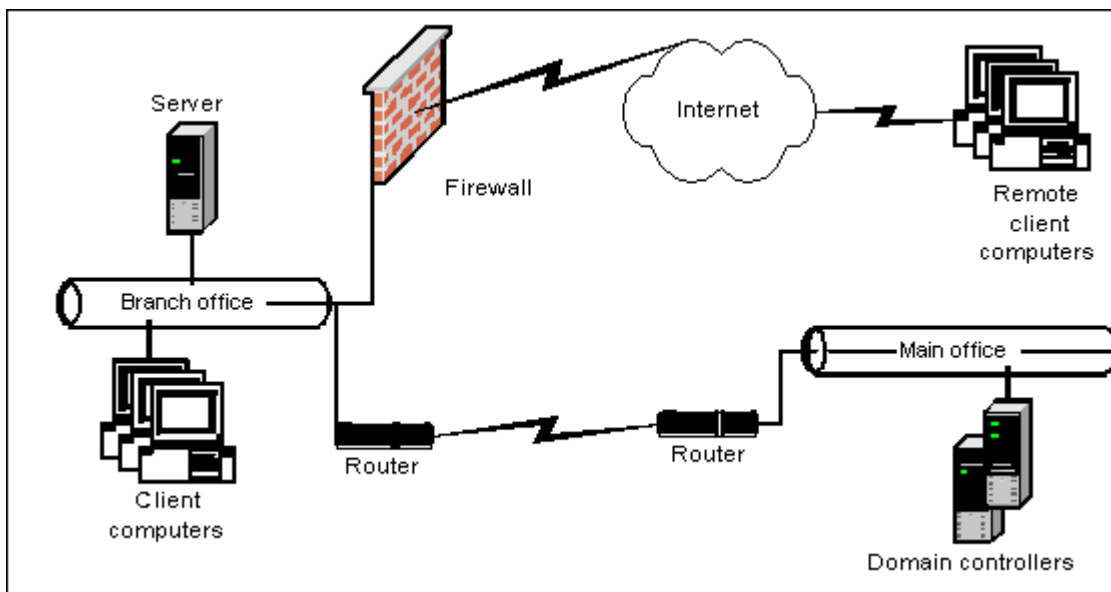
**A:** Running the command net share **EmployeeHandbook\$** on the domain controller would make the domain controller try to share the folder **EmployeeHandbook** as a hidden share. This would most likely fail and would not be helpful even if it succeeded.

**C:** Make ServerA a domain controller would be a drastic step and it would still not help. The share would still be hidden.

**D:** Virtual Directories can be created in Internet Information Services (IIS), but not in Windows 2000.

**Question 4.(D)**

You are a network administrator for your company. The company has 10 branch offices and has plans to add at least 25 more branch offices during the next 12 months. The network is configured as shown in the exhibit.



Each branch office has only one server. These servers are multifunction servers that are domain controllers and application-based Terminal Servers. The users of the remote client computers connect to these servers by using Terminal Services over the Internet so that they can access a financial application.

You need to ensure that remote users can log on to the Terminal servers and not to any other domain controllers at the main office. you must also ensure that remote users cannot log on to any other domain controller that is not an application-based Terminal server. When new application-based Terminal servers are added to the domain, You want the servers to automatically configure settings to meet these requirements.

You create a new group named Terminal-Server-Users, and you make the user accounts of all the users who need access to these application-based Terminal server member of this group.

What should you do next?

- Create a new Group Policy object (GPO) and link it to domain level. Configure this GPO by assigning the Terminal-Server Users group the Log on locally right.
- Create a new Group Policy object (GPO) and link it to the Domain Controllers organizational unit (OU). Configure this GPO by assigning the Terminal-Server-Users group the Log on locally right.
- Create a new OU and move all Terminal servers into this organizational unit (OU). Create a Group Policy object (GPO) and link it to this new OU. Configure this GPO by assigning the Terminal-Server-Users group the Log on locally right.
- Modify the local security policy on all of the application-based Terminal servers by assigning the Terminal-Server-Users group the Log on locally right.
- Modify the Domain Controller security policy on one of the application-based Terminal servers by assigning the Terminal-Server-Users group the Log on locally right.

**Answer: C**

#### **Explanation:**

In this scenario each branch office has only one multifunctional server that is both a domain controller and an application-based Terminal server. For security purposes we must ensure that the remote users can only log on to the Terminal Server and not to any other server. To

## Pass4SureOfficial.com Lifetime Membership Features;

- Pass4SureOfficial Lifetime Membership Package includes over **2500** Exams.
- **All** exams Questions and Answers are included in package.
- **All** Audio Guides are included **free** in package.
- **All** Study Guides are included **free** in package.
- **Lifetime** login access.
- Unlimited download, no account expiry, no hidden charges, just one time \$99 payment.
- **Free updates** for Lifetime.
- **Free Download Access** to All new exams added in future.
- Accurate answers with explanations (If applicable).
- Verified answers researched by industry experts.
- Study Material **updated** on regular basis.
- Questions, Answers and Study Guides are downloadable in **PDF** format.
- Audio Exams are downloadable in **MP3** format.
- **No authorization** code required to open exam.
- **Portable** anywhere.
- 100% success **Guarantee**.
- **Fast**, helpful support 24x7.

View list of All exams (Q&A) downloads

<http://www.pass4sureofficial.com/allexams.asp>

View list of All Study Guides (SG) downloads

<http://www.pass4sureofficial.com/study-guides.asp>

View list of All Audio Exams (AE) downloads

<http://www.pass4sureofficial.com/audio-exams.asp>

Download All Exams Samples

<http://www.pass4sureofficial.com/samples.asp>

To purchase \$99 Lifetime Full Access Membership click here

<http://www.pass4sureofficial.com/purchase.asp>

3COM	CompTIA	Filemaker	IBM	LPI	OMG	Sun
ADOBE	ComputerAssociates	Fortinet	IISFA	McAfee	Oracle	Sybase
APC	CWNP	Foundry	Intel	McData	PMI	Symantec
Apple	DELL	Fujitsu	ISACA	Microsoft	Polycom	TeraData
BEA	ECCouncil	GuidanceSoftware	ISC2	Mile2	RedHat	TIA
BICSI	EMC	HDI	ISEB	NetworkAppliance	Sair	Tibco
CheckPoint	Enterasys	Hitachi	ISM	Network-General	SASInstitute	TruSecure
Cisco	ExamExpress	HP	Juniper	Nokia	SCP	Veritas
Citrix	Exin	Huawei	Legato	Nortel	See-Beyond	Vmware
CIW	ExtremeNetworks	Hyperion	Lotus	Novell	SNIA	

