

050-686

Novell

Foundations of Novell Networking: NetWare 6.5

OfficialCerts.com is a reputable IT certification examination guide, study guides and audio exam provider. We ensure that you pass your 050-686 exam in first attempt and also get high scores to acquire Novell certification.

If you use OfficialCerts 050-686 Certification questions and answers, you will experience actual 050-686 exam questions/answers. We know exactly what is needed and have all the exam preparation material required to pass the exam. Our Novell exam prep covers over 95% of the questions and answers that may be appeared in your 050-686 exam. Every point from pass4sure 050-686 PDF, 050-686 review will help you take Novell 050-686 exam much easier and become Novell certified.

Here's what you can expect from the OfficialCerts Novell 050-686 course:

- * Up-to-Date Novell 050-686 questions as experienced in the real exam.*
- * 100% correct Novell 050-686 answers you simply can't find in other 050-686 courses.*
- * All of our tests are easy to download. Your file will be saved as a 050-686 PDF.*
- * Novell 050-686 brain dump free content featuring the real 050-686 test questions.*

Novell 050-686 certification exam is of core importance both in your Professional life and Novell certification path. With Novell certification you can get a good job easily in the market and get on your path for success. Professionals who passed Novell 050-686 exam training are an absolute favorite in the industry. You will pass Novell 050-686 certification test and career opportunities will be open for you.

<http://news.ift.org/?newsid=exams.asp?examcode=050-686>



Question: 1

Which describes the role of the Novell Distributed Print Services (NDPS) printer agent?

- A. It downloads the correct print driver to the workstation.
- B. It responds to queries from clients about the status of a print job.
- C. It provides a platform for printer objects that reside on the server.
- D. It allows NDPS clients to send print jobs to printers that are not NDPS-aware.
- E. It redirects print jobs to directory on the server while waiting for the printer to become available.
- F. It takes application-specific data from the application creating the print job and reformats it to work with the printer it is being sent to.

Answer: B

Question: 2

You're implementing a NetWare 6.5 network for a small business client:

Jessica's Bakery. There is only one server in the network. You've named the server BAKERY1 and installed it into an eDirectory tree named JESSICASBAKERY-TREE. You've used a random password generator to create a password for the tree's Admin user. To ease administration, you've located the server next to the Point of Sale system in the customer area of the bakery. You deployed Universal Password on the server. All workstations have Novell Client 4.9 installed on them. You created a NFAP share on the server for the SHARED and the FINANCE directories on the server's DATA volume. Does this configuration meet Novell's security recommendations?

- A. Yes, all Novell security guidelines have been met.
- B. No, the server should be placed in a locked closet or room.
- C. No, you shouldn't use Universal Password with Novell Client version 4.9.
- D. No, you shouldn't use the business name in the server or eDirectory tree names.
- E. No, you shouldn't create NFAP shares for directories containing financial information.
- F. No, you shouldn't use a random password generator for the Admin password. It's easy to hack.

Answer: B

Question: 3

Which web-based services does Virtual Office provide? (Choose 3.)

- A. Chat
- B. Calendar
- C. Bookmarks
- D. Spreadsheet
- E. Word processor
- F. Project management charts

Answer: A, B, C

Question: 4

During the installation of NetWare 6.5, the server files are installed on the _____ volume.

Answer:

- A. SYS

Answer: A

Question: 5

You've just finished configuring an iPrint system on your NetWare 6.5 server. The server's DNS name is iprint.widget.com. The Manager object is named IPP-Printer in the SLC.WIDGET

container. The Broker object is named IPP-Broker and is also in SLC.WIDGET. You've used the Maptool.htm file to configure a map named slcoffice.htm for location-based printing. What URL should you enter in your browser's Address field to test the iPrint map?

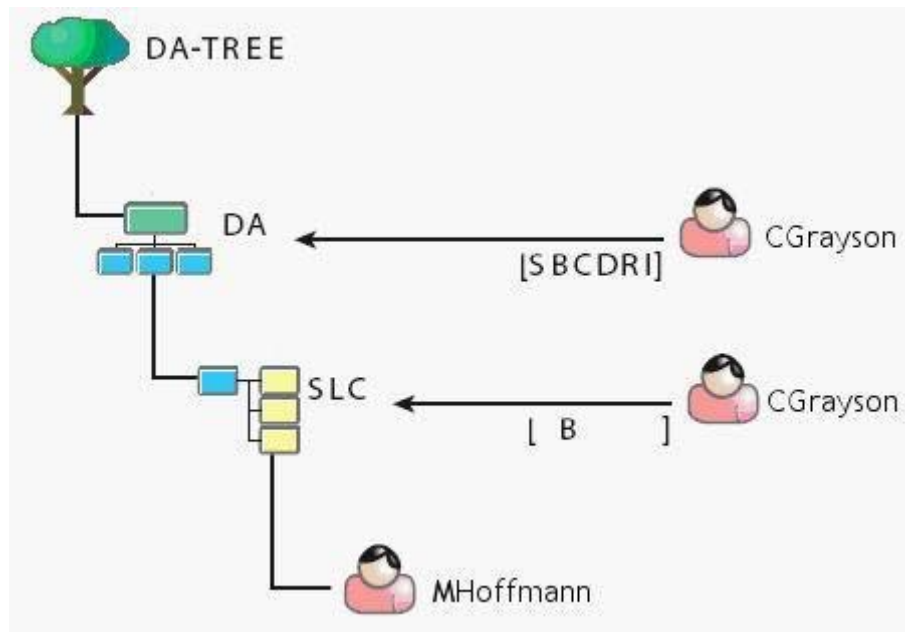
- A. http://iprint.widget.com/slcoffice.htm
- B. http://iprint.widget.com/lpp/slcoffice.htm
- C. http://iprint.widget.com/lppdocs/Maptool.htm
- D. http://iprint.widget.com/iPrint/slcoffice.htm
- E. http://iprint.widget.com/lppdocs/slcoffice.htm
- F. http://iprint.widget.com/lpp/slcoffice.htm -b=IPP-Broker.SLC.WIDGET
- G. http://iprint.widget.com/lppdocs/slcoffice.htm -m=IPP-Printer.SLC.WIDGET

Answer: E

Question: 6

Click the Exhibit button to begin.

Given the explicit right assignments shown, what rights does CGrayson have to the MHoffmann user object?



- A. Supervisor
- B. Browse
- C. Browse, Create
- D. Browse, Create, Delete
- E. Browse, Create, Delete, Rename, Inheritable
- F. Supervisor, Browse, Create, Delete, Rename
- G. Supervisor, Browse, Create, Delete, Rename, Inheritable
- H. CGrayson has no rights to the MHoffmann user object.

Answer: B

Question: 7

Your company specializes in the production of digital video products. Your company has been recently awarded a very large contract that has a very short deadline. Your NetWare 6.5 server

currently uses a single 80 GB IDE hard disk drive. The new contract will require considerably more hard disk storage. You've purchased and installed a 400 GB RAID5 disk array designed specifically for non-linear video editing. The array came with a diskette containing NetWare drivers. Which file on your server should you edit to load these drivers?

- A. RAID.NCF
- B. SERVER.EXE
- C. CONFIG.SYS
- D. STARTUP.NCF
- E. STARTUP.CFG
- F. STORAGE.NCF
- G. AUTOEXEC.BAT
- H. RAID5 array drivers can only be loaded manually from the server console.

Answer: D

Question: 8

Which utilities can you use to manage directory and file attributes on a NetWare 6.5 server? (Choose 2.)

- A. ICE
- B. FLAG
- C. iManager
- D. iMonitor
- E. NDS Manager
- F. Remote Manager

Answer: B, F

Question: 9

Your company's business procedures require the use of triplicate forms. To accommodate this, you have secured an older dot-matrix printer to deploy in your network. It doesn't have a network interface. It will be connected directly to one of your server's LPT ports using an IEEE 1284 parallel cable. You use Novell Distributed Print Services (NDPS) to provide print services to your users. This printer doesn't have an embedded printer agent. Can you use it with NDPS?

- A. Yes, all prerequisite requirements have been met.
- B. No, the NDPS manager doesn't support older dot-matrix printers.
- C. No, the NDPS broker is incompatible with the IEEE 1284 standard.
- D. No, NDPS doesn't support printers that don't have an embedded printer agent.
- E. No, a printer agent can't be created for printers that connect to the server with a parallel cable.

Answer: A

Question: 10

Which utility can be used to create NSS volumes in NetWare 6.5? (Choose 2.)

- A. NSSMU
- B. iMonitor
- C. NWCONFIG
- D. ConsoleOne
- E. NDS Manager
- F. NetWare Administrator

Answer: A, D

Question: 11

You're designing the eDirectory tree for your company. Your company is composed of four distinct subsidiary organizations. You decide to create four Organization objects at the root of your tree to represent each. Each subsidiary has its own Vice President who is in charge of the organization. You decide to create a user object for each Vice President in their respective Organization object. Will this design work?

- A. Yes, all eDirectory rules have been observed.
- B. No, user objects can't reside in an Organization object.
- C. No, Organization objects can only reside within Country objects.
- D. No, there can only be one Organization object within a given tree.
- E. No, Organization objects should not be used to represent subsidiaries. Organizational Unit objects should be used instead.

Answer: A

Question: 12

Which of the following are system files used by DR-DOS? (Choose 3.)

- A. NTLDR
- B. IO.SYS
- C. MSDOS.SYS
- D. IBMBIO.COM
- E. IBMDOS.COM
- F. COMMAND.COM
- G. NTDETECT.COM
- H. PAGEFILE.SYS

Answer: D, E, F

Question: 13

Which file system attribute indicates that the file has been modified at some point since the last backup operation?

- A. A
- B. H
- C. P
- D. Ci
- E. Dc
- F. Di
- G. Dm
- H. Ds
- I. Ic
- I. Ro
- I. Sh

Answer: A

Question: 14

Click the Point and Click button to begin.

Click the option in iManager you would use to see every object that the Admin.SLC.DA user objects is an explicit trustee of.

OfficialCerts.com Certification Exam Full Version Features;

- Verified answers researched by industry experts.
- Exams **updated** on regular basis.
- Questions, Answers are downloadable in **PDF** format.
- **No authorization** code required to open exam.
- **Portable** anywhere.
- 100% success **Guarantee**.
- **Fast**, helpful support 24x7.

View list of All exams we offer;

<http://www.officialcerts.com/allexams.asp>

To contact our Support;

<http://www.officialcerts.com/support.asp>

View FAQs

<http://www.officialcerts.com/faq.asp>

Download All Exams Samples

<http://www.officialcerts.com/samples.asp>

To purchase Full Version and updated exam;

<http://www.officialcerts.com/allexams.asp>



Shop now using **PayPal**



3COM	CompTIA	Filemaker	IBM	LPI	OMG	Sun
ADOBE	ComputerAssociates	Fortinet	IISFA	McAfee	Oracle	Sybase
APC	CWNP	Foundry	Intel	McData	PMI	Symantec
Apple	DELL	Fujitsu	ISACA	Microsoft	Polycom	TeraData
BEA	ECCouncil	GuidanceSoftware	ISC2	Mile2	RedHat	TIA
BICSI	EMC	HDI	ISEB	NetworkAppliance	Sair	Tibco
CheckPoint	Enterasys	Hitachi	ISM	Network-General	SASInstitute	TruSecure
Cisco	ExamExpress	HP	Juniper	Nokia	SCP	Veritas
Citrix	Exin	Huawei	Legato	Nortel	See-Beyond	Vmware
CIW	ExtremeNetworks	Hyperion	Lotus	Novell	Google	

You have made the
Right Choice

You are becoming member of most comprehensive, accurate, highest quality and lowest cost certification resource in the world.

