

# 000-991

## IBM

### *IBM WebSphere Business Modeler Advanced V6.0.2 Business Analysis and Design*

*OfficialCerts.com is a reputable IT certification examination guide, study guides and audio exam provider. We ensure that you pass your 000-991 exam in first attempt and also get high scores to acquire IBM certification.*

*If you use OfficialCerts 000-991 Certification questions and answers, you will experience actual 000-991 exam questions/answers. We know exactly what is needed and have all the exam preparation material required to pass the exam. Our IBM exam prep covers over 95% of the questions and answers that may be appeared in your 000-991 exam. Every point from pass4sure 000-991 PDF, 000-991 review will help you take IBM 000-991 exam much easier and become IBM certified.*

*Here's what you can expect from the OfficialCerts IBM 000-991 course:*

- \* Up-to-Date IBM 000-991 questions as experienced in the real exam.*
- \* 100% correct IBM 000-991 answers you simply can't find in other 000-991 courses.*
- \* All of our tests are easy to download. Your file will be saved as a 000-991 PDF.*
- \* IBM 000-991 brain dump free content featuring the real 000-991 test questions.*

*IBM 000-991 certification exam is of core importance both in your Professional life and IBM certification path. With IBM certification you can get a good job easily in the market and get on your path for success. Professionals who passed IBM 000-991 exam training are an absolute favorite in the industry. You will pass IBM 000-991 certification test and career opportunities will be open for you.*

<http://news.ift.org/?newsid=exams.asp?examcode=000-991>



**Question: 1**

A business analyst is validating a model. The analyst right-clicks on the simulation profile and selects Profile Analysis > Static Process Cases Summary. However, the results are not as expected. A message is displayed indicating that the elements within the model prevent this analysis from being performed. Which types of elements in the process would cause this problem?

- A. Services, a Notification business item or any global tasks that are in the process
- B. Repositories, Maps, or observers that are elements in the process
- C. A For Loop, a While Loop, or a Do-While Loop in the process
- D. Local processes with nested organization catalogs or nested resource catalogs

**Answer: B**

**Question: 2**

A business analyst is planning to shorten processing time by 30% and does not expect the average throughput to vary in the future. After running simulation and conducting analysis of the current process, the business analyst has identified the problem area, and has developed multiple alternative future process models.

Which comparative analysis should be used to identify which future process models will achieve the planned reduction, within the identified problem area, when compared to the current process model?

- A. Processes Resources Time Comparison Analysis
- B. Processes Duration Comparison Analysis
- C. Processes Activities Total Time Comparison Analysis
- D. Processes Classifier Duration Comparison Analysis

**Answer: C**

**Question: 3**

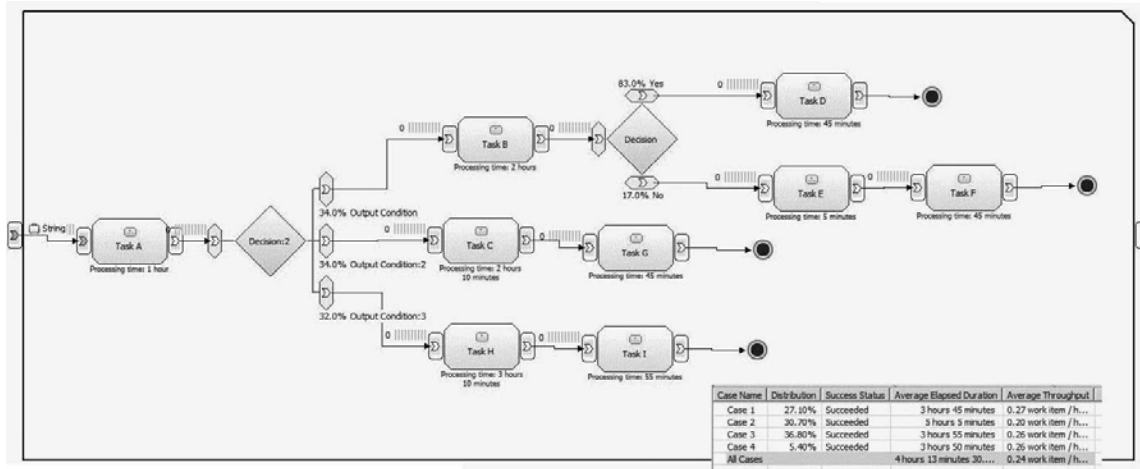
Which analysis should be performed before simulation to check for the activities in the process model flow that can create a potential for bottlenecks or underutilization?

- A. Activity Throughput
- B. Activity Resource and Role Leveling
- C. Activity Cost and Duration
- D. Activity Resource Allocation

**Answer: A**

**Question: 4**

Refer to the exhibit.



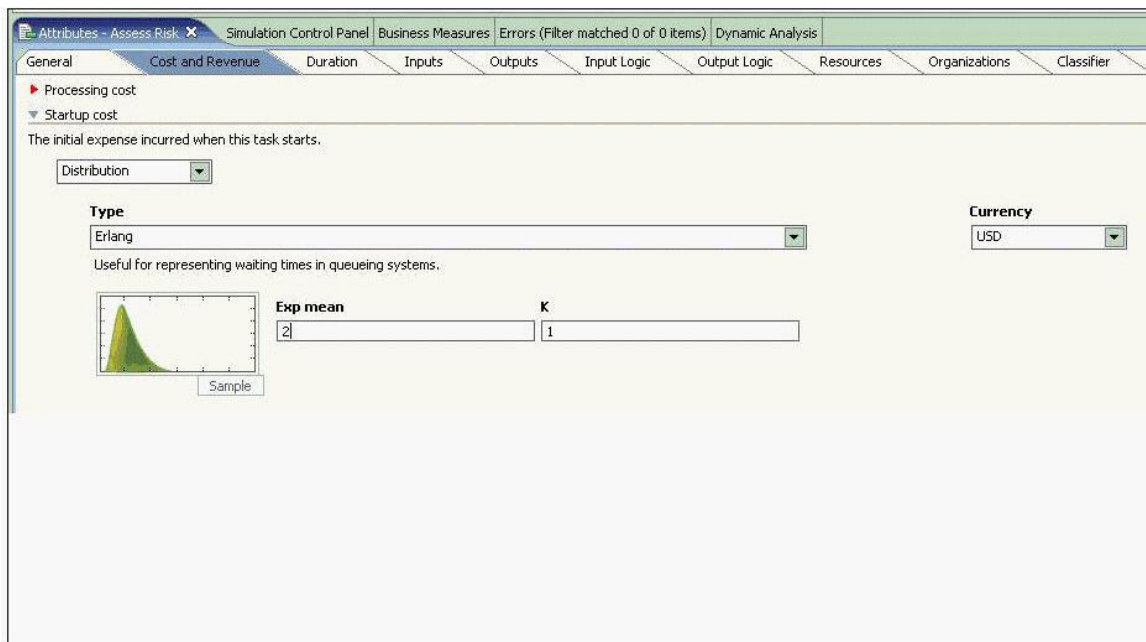
Process Duration analysis is being performed on an analysis model with multiple processing paths that can be taken based on decision distributions. The exhibit illustrates this process model as well as the Process Case Analysis Results for Process Duration. How can each specific case in the process be identified within the process diagram?

- Visually determine the longest path by the number of tasks that it contains. This corresponds to the case with the longest Average Elapsed Duration.
- Calculate the sum of task durations for each task in a given path. Compare this value with each case's Average Elapsed Duration value.
- Determine the number of tokens that will flow down each processing path based on decision distributions. Determine its percentage against the total number of tokens. Match the distribution value against the values in the case analysis.
- Select a row pertaining to an individual case in the dynamic analysis results view. The path will be highlighted through the process.
- Each case is organized visually from top to bottom. Case 1 will represent the top visual path, Case 2 will represent the 2nd highest visual path, etc.

**Answer: D**

**Question: 5**

Refer to the exhibit.



For the "Assess Risk" local task, the startup cost has been defined as shown in the exhibit. When the business analyst runs static analysis for 'Activity Cost and Duration', the startup cost for the exhibit is not supplied.

What could be the problem?

- A. The Erlang distribution is useful only for representing wait times in queueing systems and therefore is not applicable for this situation.
- B. Startup costs are only relevant in modeling contexts if they are entered at the process level, not at the task level.
- C. There is no statistical analysis report that can be used to show costs.
- D. Distributions are relevant in simulation and this analysis will not evaluate an activity's startup cost if it is specified as a distribution.

**Answer: D**

**Question: 6**

After running the simulation of a complex process for a long period of time, the business analyst stopped the simulation and suspected the existence of an infinite loop in the process flow execution. How should the business analyst determine if there is an infinite loop or not?

- A. Run Path cycles analysis
- B. Inspect the simulation results
- C. Run Paths unable to be followed analysis
- D. Perform desktop test

**Answer: A**

**Question: 7**

Refer to the exhibit.

## OfficialCerts.com Certification Exam Full Version Features;

- Verified answers researched by industry experts.
- Exams **updated** on regular basis.
- Questions, Answers are downloadable in **PDF** format.
- **No authorization** code required to open exam.
- **Portable** anywhere.
- 100% success **Guarantee**.
- **Fast**, helpful support 24x7.

View list of All exams we offer;

<http://www.officialcerts.com/allexams.asp>

To contact our Support;

<http://www.officialcerts.com/support.asp>

View FAQs

<http://www.officialcerts.com/faq.asp>

Download All Exams Samples

<http://www.officialcerts.com/samples.asp>

To purchase Full Version and updated exam;

<http://www.officialcerts.com/allexams.asp>



Shop now using **PayPal**



3COM	CompTIA	Filemaker	IBM	LPI	OMG	Sun
ADOBE	ComputerAssociates	Fortinet	IISFA	McAfee	Oracle	Sybase
APC	CWNP	Foundry	Intel	McData	PMI	Symantec
Apple	DELL	Fujitsu	ISACA	Microsoft	Polycom	TeraData
BEA	ECCouncil	GuidanceSoftware	ISC2	Mile2	RedHat	TIA
BICSI	EMC	HDI	ISEB	NetworkAppliance	Sair	Tibco
CheckPoint	Enterasys	Hitachi	ISM	Network-General	SASInstitute	TruSecure
Cisco	ExamExpress	HP	Juniper	Nokia	SCP	Veritas
Citrix	Exin	Huawei	Legato	Nortel	See-Beyond	Vmware
CIW	ExtremeNetworks	Hyperion	Lotus	Novell	Google	

*You have made the*  
**Right Choice**

You are becoming member of most comprehensive, accurate, highest quality and lowest cost certification resource in the world.

